

AI Inference / DeviceEdge

Jetson Platform AIB-MX13/AIB-MX23



Features

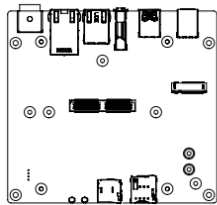
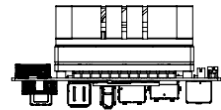
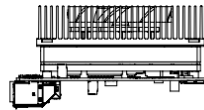
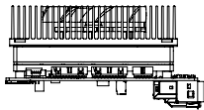
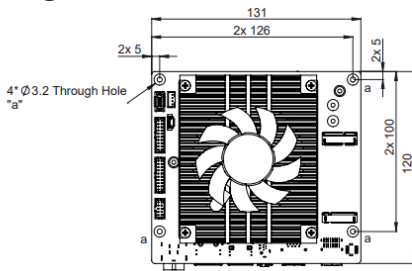
- Support NVIDIA Jetson AGX Orin Series
- 1 x B-Key/E-Key/M-Key slot, 1 x GbE/10GbE port
- Wide Power Input Range 9 to 36 VDC
- Operating Temperature -25° C ~ 80° C
- Support OOB (out-of-band) powered by Innodisk (optional)



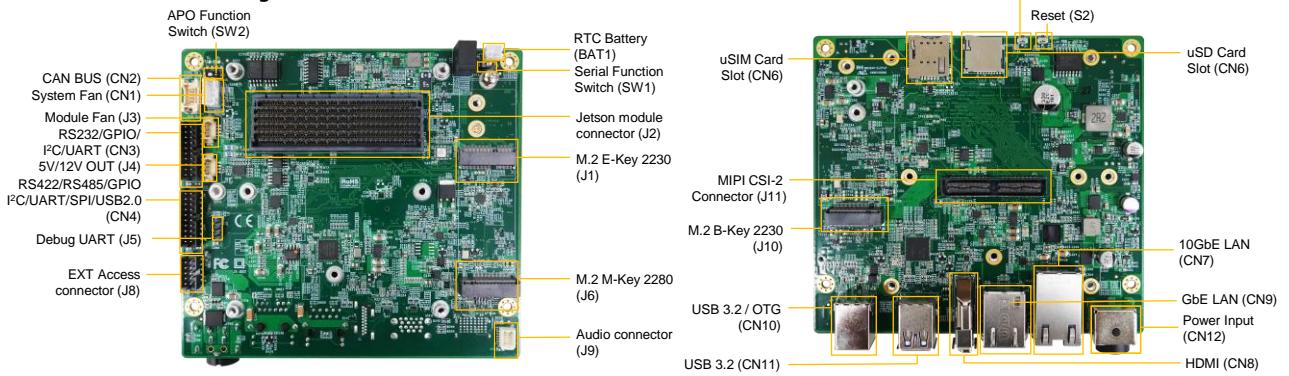
Specifications

| Model Number | AIB-MX13 | AIB-MX23 |
|-------------------------|---|---|
| Module Compatibility | NVIDIA Jetson AGX Orin 32GB | NVIDIA Jetson AGX Orin 64GB |
| AI Performance | 200 TOPS | 275 TOPS |
| GPU | 1792-core NVIDIA Ampere GPU with 56 Tensor Cores | 2048-core NVIDIA Ampere GPU with 64 Tensor Cores |
| CPU | 8-core Arm® Cortex®-A78AE v8.2 64-bit CPU 2MB L2 + 4MB L3 | 12-core Arm® Cortex®-A78AE v8.2 64-bit CPU 3MB L2 + 6MB L3 |
| Memory | 32GB 256-bit LPDDR5 204.8 GB/s | 64GB 256-bit LPDDR5 204.8 GB/s |
| Storage | 64GB eMMC 5.1 | |
| Display | 1 x HDMI 2.0 Type A | |
| TPM | TPM v2.0 (optional) | |
| RTC | With super capacitor, battery (optional) | |
| Audio | LINE IN/OUT, Microphone (optional with daughter board) | |
| Camera Input | 1x 16-Lane MIPI Expansion Connector | |
| LAN | 1 x RJ-45 GbE port, 1 x RJ-45 10GbE port | |
| USB | 2 x USB 3.2 Gen1 Type A, 1 x OTG Type-C, 1 x USB 3.2 Gen2 Type-C | |
| I/O Interfaces | 2 x I2C, 1 x I2S, 1 x SPI, 5 x GPIO, 1 x 3.3VDC/0.5A, 2 x 5VDC/0.5A, 1 x 12VDC/0.5A, 1 x USB 2.0 | |
| Expansion | 1 x M.2 B-Key 3042/3052 (support USB3.2 Gen1, USB 2.0) 1 x M.2 E-Key 2230 (support PCIe x1 Gen4, USB 2.0) 1 x M.2 M-Key 2280 (support NVMe, PCIe x2 Gen4) 1 x microSD slot | |
| MISC. Function | 1 x Power/Recovery/Reset button 2 x UART, 1 x UART (Debug only) 1 x RS-232 1x RS-422 or RS-485 (Either one) 2 x CAN 2.0b with isolation | |
| Power Consumption | Idle: 6.655 W Full Loading: 52.25* W | Idle: 6.9 W Full Loading: 72.25* W |
| | *For more test condition information, please refer to user manual | |
| Power Input / Connector | DC-in 9 to 36 VDC / 4-Pin DC Jack Power Connector | |
| Dimension (W x D x H) | 131 x 120 x 63.9 mm (5.16 x 4.72 x 2.52 in) | |
| Net Weight | 0.701 kg (1.54 lb) w/ Fansink | |
| Vibration | 1 Grms, IEC 60068-2-64, random, 5 ~ 500 Hz, 1 hr/axis | |
| Shock | 10 G, IEC 60068-2-27, half sine, 11 ms duration | |
| Temperature | Operating Temp.: -25° C ~ 80° C (-13° F ~ 176° F) / Storage Temp.: -40° C ~ 85° C (-40° F ~ 185° F) | |
| Humidity | 95% @ 40°C Related Humidity, Non-condensing | |
| OS Support | Ubuntu 20.04 | |
| Certification | CE/FCC Class A, IEC 62368 | |

System & Mounting Dimensions



Carrier Board Layout



Ordering Information

| Model name | Description |
|---------------|--|
| AIB-MX13-1-A1 | AGX Orin 32GB, 1 x HDMI, 1 x GbE, 1 x 10GbE, 3 x USB, B/E/M Key, 9 to 36 VDC input, -25° C ~ 80° C |
| AIB-MX23-1-A1 | AGX Orin 64GB, 1 x HDMI, 1 x GbE, 1 x 10GbE, 3 x USB, B/E/M Key, 9 to 36 VDC input, -25° C ~ 80° C |

Packing List

| Item/Part Number | Description |
|------------------|---|
| 92-6BMX13-4003 | AIB-MX13 carrier board w/ AGX Orin 32GB |
| 92-6BMX23-4000 | AIB-MX23 carrier board w/ AGX Orin 64GB |
| 53-0FG160-1200 | 85~264V 138W 12V 11.5A power adaptor |

Accessories (Optional)

| Part Number | Description |
|----------------|---------------|
| 32-010000-0005 | US power cord |
| 32-010000-0006 | EU power cord |
| 32-010000-0008 | JP power cord |

Peripheral (Optional)

[Download the List](#)

